

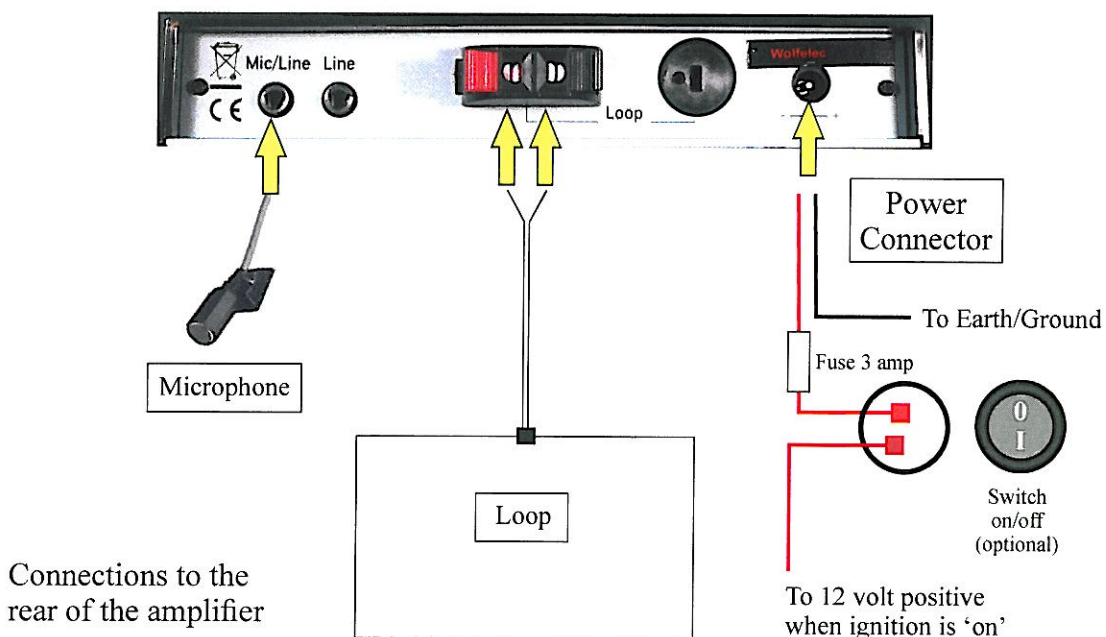
Introduction

The Wolfelec Autoloop is a fully automatic induction loop amplifier for wireless listening through a hearing instrument that has a 'T' switch, also known as Telecoil switch.

When correctly installed this system fulfills the required operational standard IEC 60118-4:2006 and also satisfies the requirements of Automobile EMC directive 72/245/EEC amended 2009/19/EC.

The kit comprises four components: The induction loop amplifier, the loop harness, the fused power lead and the microphone.

These instructions assume a typical installation where the driver needs to speak to a rear passenger who has a hearing aid. However the position of the loop and microphone can be reversed should the driver be the person with the hearing aid.

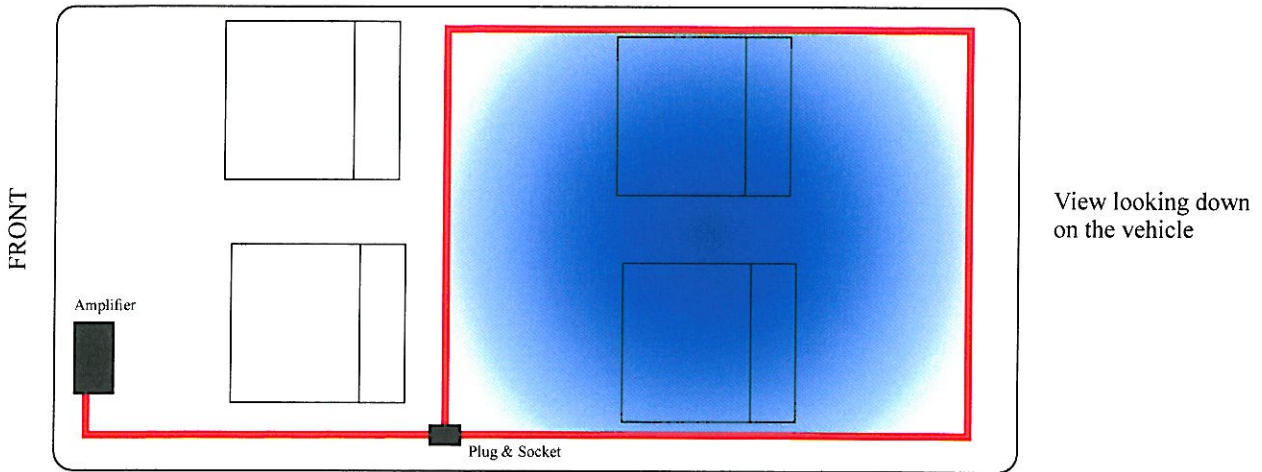


Loop Harness Installation.

Typically the loop harness will be installed between the vehicles headlining and the roof. Ideally the loop wire should be kept away from metal surfaces where possible. In most vehicles this is not possible and the Wolfelec Autoloop includes electronic circuits to compensate for this.

It is important that the harness is run in a complete loop surrounding the area around where the person with the loop will sit. The best hearing reception will be in the centre of the loop. Make the loop as large as possible for best coverage. The drawing below shows the loop as a red wire and the hearing area shown in blue. The darkest blue being the best reception.

The harness plug and socket must be connected to each other to form the complete loop.



Microphone Location

Install the microphone so that it faces the person speaking. For the driver the best location is usually the top of the windscreen pillar as shown in the photograph.



Testing and Trouble Shooting.

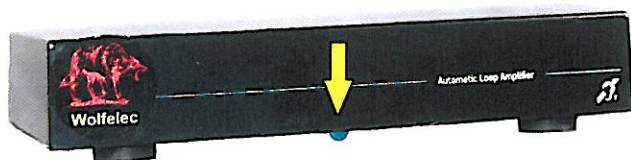
The loop amplifier can be wired to either switch on every time the ignition is 'on' or to operate via a switch.

Switch the amplifier 'on' and ensure that the listener has the hearing instrument switched to the 'T' position.

When someone is speaking and the amplifier is transmitting the 'Active Indicator' will be lit. If it is not lit check that the microphone is correctly plugged in and that the power and earth connections are correct.

If the 'Active Indicator' is lit but you still can not receive a signal in your hearing instrument you should check that the loop harness is correctly plugged together and attached to the amplifier.

For any other difficulty please contact your supplier for advice.



Location of 'active indicator'

